

**SUP031OR** RI9952/01/02/03/50  
RI9953/01 RI9954/01



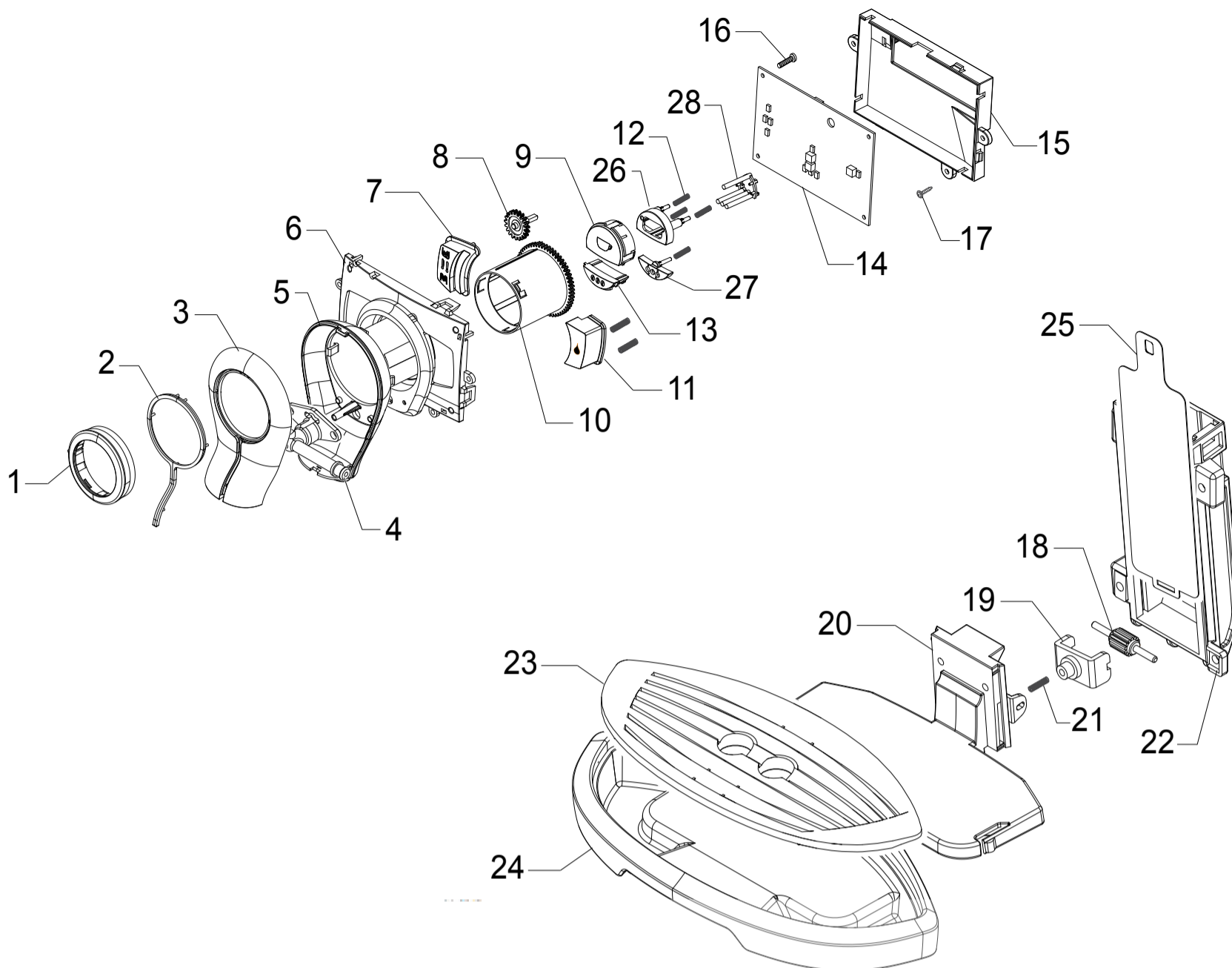
**Cod.10003759-72-70-4635**  
**10003757-4053**

POS	CODE	DESCRIPTION	NOTE	POS	CODE	DESCRIPTION	NOTE
01	15003979	MANUAL V2 PR SAE SUP031OR P0049/B D/I		23	11030318	CARBONA COFFEE UNIT DRIP TRAY V2 P0049	
	15003995	MANUAL V2 PR SAE SUP031OR P0049/B GB/F			11013871	SPECCHIATO LEFT SIDE CASING P0049	
	15003996	MANUAL V2 PR SAE SUP031OR SUP049/B E/P			11004390	TITANIO LEFT SIDE CASING P0049	
	15003997	MANUAL V2 PR SAE SUP031OR P0049/B NL/PL		24	11003533	BLACK DUMP BOX P0049 ASSY.	
	15002808	MANUAL PR SAE P0049/B SUP031OR CHN		25	11004579	CARBONA COFFEE UNIT DRIP TRAY P0049	
	421946017581	MANUAL PR LCW SUP031OR P0049/B GB/CN	RI9952/50		11030326	SPECCHIATO COFF.UNIT DRIP TRAY V2 P0049	
02	11003889	2POLES CONNECT.SENSOR REED DOOR P0049 UL			11030327	TITANIO COFFEE UNIT DRIP TRAY V2 P0049	
03	11003785	BLACK GRINDER ADJUSTMENT KEY P0049		26	12001883	CUP SOCKET V3 EN 60320 C 13	
04	421946001591	BLK POWER CABLE SCHUKO L=800			12000280	CUP SOCKET EN 60320 C 13	ONLY CHINA
	11004246	BLACK POWER CABLE TAIWAN HVCTF L=1200		27	11007060	GENERAL SWITCH FOR P124	
	11004247	BLACK POWER CABLE RVV 3X1 CHINA L=1200		28	11004591	CARBONA WATER TANK OUTLET COVER P0049	
	11001985	BLACK POWER CABLE KOREA 3X1 L=1200			11013874	SPECCHIATO WATER TANK OUTLET COVER P0049	
05	13001548	PS-E UPPER INSERT V4 FOR BOX P0049		29	11011355	TRANSP.BEAN CONTAINER V2 P0049	
06	13001547	PS-E LOWER INSERT V4 FOR BOX P0049		30	11001762	NAT/GREY BEAN COFFEE CONT.LID P0049 ASSY	
07	13001322	HAVANA BOX P0049 PR SAE ODEA		31	11009191	BLACK POWER BOARD PROTECTION V2 P0049	
	13000883	DISPLAY BOX V3 P0049 SAE ODEA		32	11022788	PWR BOARD V2 P0053 230V	WITH STD BOILER
	421946017501	HAVANA BOX P0049 PR SAE ODEA LCW	RI9952/50		11029201	POWER BOARD SB P0049 230V	WITH SLIM BOILER
08	11001746	NAT/GREY WATER CONTAINER P0049 ASSY.			11003968	PWR BOARD P0049/P0053	100V-120V
09	224640200	WHITE WATER CONTAINER EXT.FILTER ASSY.	WITH PART.N°10	33	9161.111	MAGNET FOR FLOAT SUPERAUTOM.	
10	140328461	EPDM OR METRIC 0190-10		34	11008956	SS DOOR LOCK SPRING G0053	
11	11003672	SS SPRING FOR WATER CONTAIN.VALVE P0049		35	11001340	BLACK DOOR PIN P0049	
12	11003673	GREY WATER CONTAINER VALVE INSERT P0049		36	11004578	CARBONA DOOR P0049	
13	11003671	TRANSP.VALVE FOR WATER CONTAINER P0049			11013872	SPECCHIATO DOOR P0049	
14	11001298	BLACK LID FOR DUCKBILL VALVE P0049			11004391	TITANIO DOOR P0049	
15	11001308	NAT/GREY WATER CONTAINER LID P0049		37	11001091	BLACK DOOR INSIDE COVER P0049	
16	11030061	MOUNTING PLATE W/PIN V3 P0049 ASSY.		38	11004592	CARBONA ON-OFF BUTTON INSERT P0049	
17	11000223	BLACK WHEEL FOR CASING BOTTOM P124			11004072	SPECCHIATO ON-OFF BUTTON INSERT P0049	
18	11030740	SPEC.CASING COV.V4 S/S.ODEA GIROPL P0049			11004055	TITANIO ON-OFF BUTTON INSERT P0049	
	11030680	SPEC.CASING COV.V4 S/SCR.ODEA GIRO P0049		39	11011129	SPECCHIATO ON-OFF SWITCH BUTTON P0049	
	421944036661	SPEC.CAS.COV.V4 P0049 S/SC.LCW ODEA GIRO	RI9952/50	40	129913202	SCREW TCB TORX 10 3X8 PLAST.ZN-B	
19	11010717	SPECCHIATO WATER-STEAM KNOB P0049		41	11001339	TRANSP.INFRAREDS PLATE P0049	
	11010693	CHROM.WATER-STEAM KNOB P0049		42	NF11.084	PHOSPH/STEEL FOLK SPRING	
20	11004142	SILVER PLATE LOGO SAECO NEW P0049/P0053		43	11001624	BLACK STEAM TUBE WASHER P0049	
		<b>UP TO S/N. TW901249589223</b>		44	11005287	BLACK STEAM KNOB BUSH P0053	
21	11004908	BLACK PLATE WITH LOGO ODEA P0049 GIRO		45	421941155132	BLK REED SENSOR SUPPORT V2 P0049	
		<b>UP TO S/N. TW901249589223</b>		46	11005044	SAECO KLUBER TRIBOSTAR SIL 2 TUBE 5GR.	
	11004909	BLACK PLATE W/LOGO ODEA P0049 GIRO PLUS		47	129661702	SCREW TCB TORX 3,5X30 PLAST.ZN-B	
		<b>UP TO S/N. TW901249589223</b>		48	11006567	LOWER INSULATE SHEET PWR ELE.BOARD P0053	(ONLY FOR 120V)
22	11004575	CARBONA RIGHT SIDE CASING P0049		49	11007234	UPPER INSULATE SHEET PWR ELE.BOARD P0053	(ONLY FOR 120V)
	11013870	SPECCHIATO RIGHT SIDE CASING P0049					
	11004389	TITANIO RIGHT SIDE CASING P0049					



**PR ODEA GIRO V2 / GIRO PLUS V2 CAPP.**

**TABLE 1/6**



SUP031OR

RI9952/01/02/03/50  
RI9953/01 RI9954/01



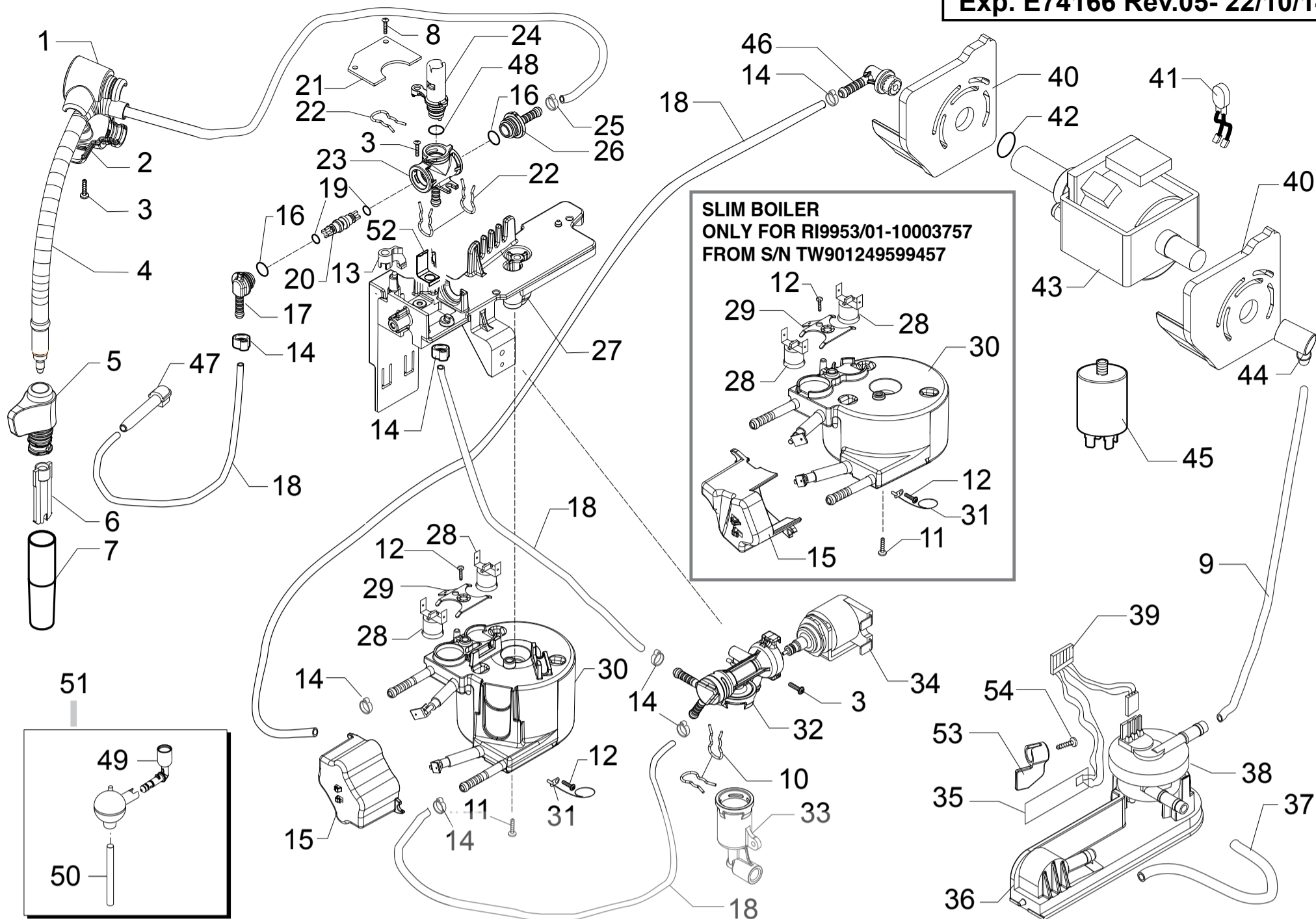
Cod.10003759-72-70-4635  
10003757-4053

POS	CODE	DESCRIPTION	NOTE	POS	CODE	DESCRIPTION	NOTE
01	11011220	SPECCH.COFF.HEIGHT REGULATION NUT P0049					
	11004100	CHROM.COFFEE HEIGHT REGULATION NUT P0049					
02	11001788	AMBRA COFFEE DISPENSER LENS P0049					
03	11011223	SPECCH.FRONT COFF.DISPENSER COVER P0049					
04	11001772	BLACK COFFEE DISPENSER INNER TUBE P0049					
05	11011221	SPECCHIAT.REAR COF.DISPENSER COVER P0049					
06	11011224	SPECCHIATO FRONT CPU CARD SUPPORT P0049					
07	11001351	BLACK ALLARMS BUTTON P0049					
08	11001320	BLACK GEAR Z=19 P0049					
09	11001354	BLACK COFFEE BUTTON P0049/B					
10	11001314	BLACK SUPPORT FOR RING NUT P0049					
11	11001352	BLACK WATER BUTTON P0049					
12	11001363	SS BUTTONS SPRING P0049					
13	11001355	BLACK COFFEE DOSE BUTTON P0049/B					
14	20003340	KIT SPARES CPU+SW V2 P0049 ASSY.	WITH STD BOILER				
	20007210	KIT SPARES CPU+SW SB P0049 ASSY.	WITH SLIM BOILER				
15	11001299	BLACK REAR CPU CARD SUPPORT P0049.					
16	129913202	SCREW TCB TORX 10 3X8 PLAST.ZN-B					
17	12000450	SCREW TCB TORX 10 3,5X12 PLAST.ZN-N					
18	11001758	PIN WITH BLACK INSERT P0049 ASSY.					
19	11001335	BLACK DRIP TRAY PIN INSERT P0049					
20	17002054	BLACK DRIP TRAY SUPPORT V2 P0049					
21	11001364	SS DRIP TRAY MOVE SPRING P0049					
22	11001294	BLACK DRIP TRAY GUIDE P0049					
23	11011128	SPECCHIATO GRATE FOR DRIP TRAY P0049					
24	11009633	CARBONA DRIP TRAY P0049					
25	11007037	SPECCHIATO DRIP TRAY PROTECTION V2 P0049					
26	11001350	BLACK COFFEE BUTTON SPACER P0049/B					
27	11001309	BLACK COFFEE DOSE BUTTON SPACER P0049					
28	11001291	TRANSP.LED COVER CAP P0049					



PR ODEA GIRO V2 / GIRO PLUS V2 CAPP.

TABLE 2/6



**SUP031OR** RI9952/01/02/03/50  
RI9953/01 RI9954/01



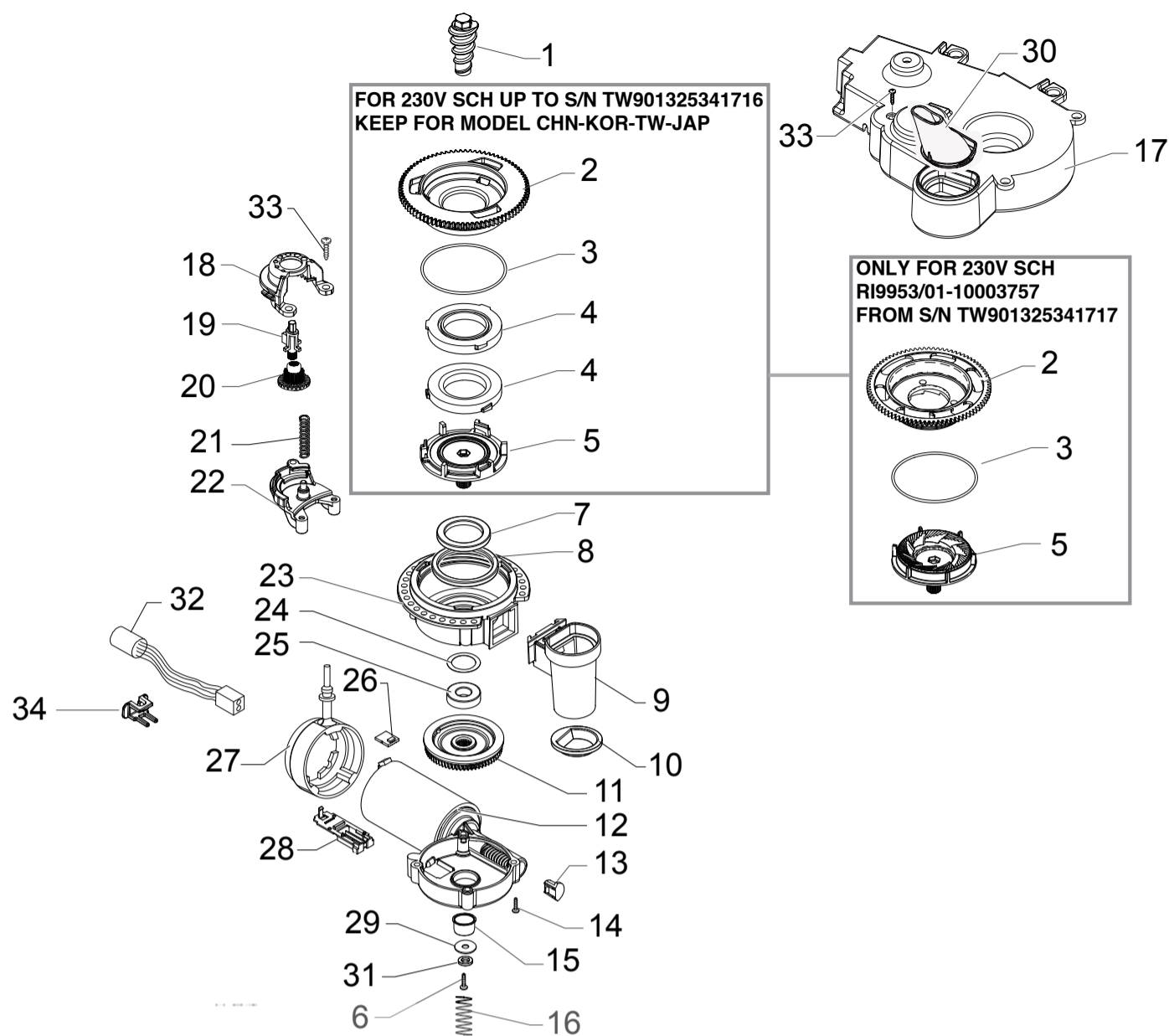
**Cod.10003759-72-70-4635**  
**10003757-4053**

POS	CODE	DESCRIPTION	NOTE	POS	CODE	DESCRIPTION	NOTE
01	11004196	CHROM.UPPER STEAM TUBE COVER P0049		34	20000920	BLOWDOWN VALVE COIL P0049 ASSY.	220V-60HZ
02	11004197	CHROM.LOWER STEAM TUBE COVER P0049		35	11000651	WATER LEVEL SENSOR BOARD P124	100V-120V
03	129913902	SCREW TCB TORX 10 3X12 PLAST.ZN-B			11003232	AS.CPU+SW WATER LEVEL SENSOR V2	220V
04	11022486	TF/CHROM.STEAM TUBE V2 P0049/P0053 ASSY.		36	11003670	BLACK TURBINE SUPPORT V2 P0049	
05	421941300681	BLK/SIL.STEAM TUBE HANDGRIP P0049		37	JS01.022	SILICONE TUBE 5X10 60SH	IN ROLL
06	11001620	BLACK PANNARELLO INNER TUBE P0049		38	12000781	TURBINE D=1,2 932-8521/90 ASSY.	
07	11001621	SS PANNARELLO COVER P0049		39	11005648	6 POLES CONNECT.LEVEL+FLOWMETER P0049 UL	100V±230V
	11001769	BLACK PANNARELLO COVER P0049		40	11006296	BLACK PUMP SUPPORT P0049 ASSY.	
08	129913202	SCREW TCB TORX 10 3X8 PLAST.ZN-B		41	11005668	2POLES CONNECTOR PUMP P0049 UL	120V±230V
09	149360200	SILICONE TUBE 5X8 70SR 25 MT	IN ROLL	42	140321961	OR 2031 IN TERMOIL	
10	11005096	SS FORK SPRING FOR BLOWDOWN VALVE P0049		43	421941305991	ULKA PUMP EP5FMGW 230V-50HZ	230V-50HZ
11	129932502	SCREW TSP 5X30 PLAST.ZN-B	WITH STD BOILER		421946017031	ULKA PUMP EP5/S GW 230V-50HZ CHN	ONLY CHINA
	12001369	SCREW TSP TORX 10 5X35 PLAST.SS	WITH SLIM BOILER		12000142	ULKA PUMP EP5/S GW	120V-60HZ
12	12001715	SCREW TCB TORX 20 M4X8 AUTOFORMING ZN-B			12000130	ULKA PUMP EP5/S GW	100V-50/60HZ
13	11008876	BLK BRASS FAUCET BLOCK INSERT P0049/A			12000182	ULKA PUMP EP5/S GW	220V-60HZ
14	12000892	OETIKER CLAMP D=9,5 16700004		44	147920150	90° INLET PUMP CONNECTOR	
15	11005284	BLACKBOILER CONNECTORS COVER P0049/P0053	WITH STD BOILER	45	12000005	ANTIDISTURB FILTER 10A FNC 1005474103P	230V
	17000386	BLK BOILER CONNECTORS COVER P0049/P0053	WITH SLIM BOILER		12001861	ANTIDISTURB FILTER HIGH&LOW 10S7D	ONLY CHINA
16	12001613	OR 108 IN EPDM PEROX.FDA 70 SH			12000007	QUICK-LOCK ANTIDISTURB FILTER 16A	100V-120V
17	11001544	BLACK FAUCET CONNECTOR P0049		46	11001054	BLK PUMP OUTLET 90°CONNECTOR P0049/B	
18	16000380	5X8,9 SILICONE TUBE	IN ROLL	47	11001630	BLK MILK ISLAND DESCARGING WATER CONNECT	
19	12001614	OR 2012 IN EPDM PEROX.FDA 70 SH		48	12001615	OR 2025 IN EPDM PEROX.FDA 70 SH	
20	11004134	TEA/BRASS FAUCET SHAFT P0049		49	11010217	BLK CONNec.FOR SPHERIC.CAPPUC.P0049 ASSY	
21	11007569	FAUCET ELECTRONIC CARD G0053 ASSY.		50	149360400	TRANSPARENT SILICONE TUBE 3,5X6	IN ROLL
22	11001499	SS FAUCET FORK SPRING P0049		51	11010494	BLACK GEN.SPHERICAL CAPPUCIN.P0049 ASSY	
23	11004625	TEA/BRASS FAUCET CASING P0049		52	11002957	SS.FAUCET FOR SPRING P0049	
24	11025776	PLAST/BRASS FAUCET SHAFT V2 P0049 ASSY.		53	17001879	BLK CAPACIT.SENSOR DEADLOCK INSERT P0049	
25	NF11.052	OETIKER CLIP		54	12000450	SCREW TCB TORX 10 3,5X12 PLAST.ZN-N	
26	11001546	BLACK FAUCET STRAIGHT CONNECTOR P0049			11025775	TEA/BRASS FAUCET V2 P0049-P0053 ASSY.	
27	11001332	BLACK BOILER-FAUCET-VALVE SUPPORT P0049				WITH PART.N°16-17-19-20-22-23-24-26-48	
28	12001034	THERMOSTAT ONE SHOT 175°	WITH STD BOILER		11001543	BLOWDOWN VALVE P0049 230V ASSY.	
	262279998757	THERMOSTAT OPEN/CLOSE 190/-35DEGC B	WITH SLIM BOILER		11005604	BLOWDOWN VALVE P0049 120V ASSY.	
29	11001751	TUB.BOILER V3 UPPER THERMOSTATES SPRING			11005751	BLOWDOWN VALVE P0049 100V ASSY.	
30	11011341	V4 TUB.BOILER 1300W 230V ASSY.	KEEP FOR CHN-KOR		11009021	BLOWDOWN VALVE P0049 220V-60HZ ASSY.	
	11013735	SLIM TUB.BOILER 1300W 230V ASSY.	ONLY FOR 230V SCH			WITH PART.N°10-32-33-34	
		FOR 230V SCH UP TO S/N. TW901249599456			11002031	TUB.BOILER P0049/C 230V ASSY.	STD BOILER
		FOR 230V SCH FROM S/N TW901249599457				FOR 230V SCH UP TO S/N. TW901249599456	
	11011342	V4 TUB.BOILER ASSY.	120V-1300W		11023770	SLIM TUB.BOILER P0049/C 230V ASSY.	SLIM BOILER
	11011343	V4 TUB.BOILER ASSY.	100V-1300W			FOR 230V SCH FROM S/N TW901249599457	
31	190800100	TEMPERATURE SENSOR NTC UL L=280MM			11005776	TUB.BOILER P0049/C 120V ASSY.	COMPLETE
32	20000591	BLOWDOWN VALVE CASING P0049 ASSY.			11005777	TUB.BOILER P0049/C 100V ASSY.	COMPLETE
33	20000592	BLOWDOWN VALVE CONNECTOR P0049 ASSY.			11009110	TUB.BOILER P0049/C 220V-60HZ ASSY.	COMPLETE
34	20000590	BLOWDOWN VALVE COIL P0049 ASSY.	230V				
	20000680	BLOWDOWN VALVE COIL P0049 ASSY.	120V				
	20000681	BLOWDOWN VALVE COIL P0049 ASSY.	100V				



PR ODEA GIRO V2 / GIRO PLUS V2 CAPP.

TABLE 3/6



SUP031OR RI9952/01/02/03/50  
RI9953/01 RI9954/01



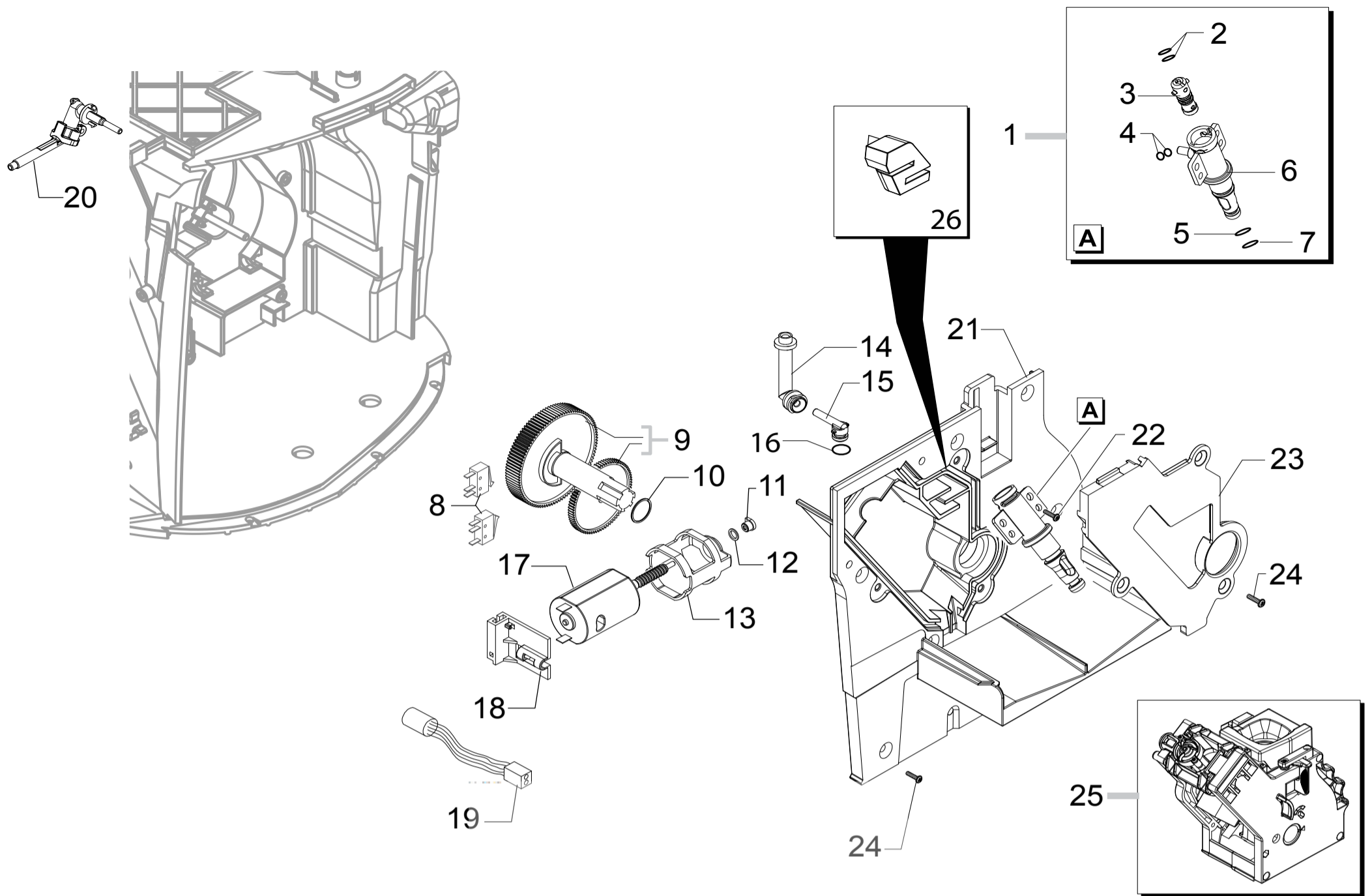
Cod.10003759-72-70-4635  
10003757-4053

POS	CODE	DESCRIPTION	NOTE	POS	CODE	DESCRIPTION	NOTE
01	11011205	TEA ZAMA INCREASE SCREW GRINDER		29	128381902	STEEL FLAT WASHER DI=4,3 DE=14 SP=1,5	
02	421941094152	BLK COF.GRINDER UPPER GRINDER SUPPORT V2	FOR CHN-KOR-TW-JAP	30	11004199	BLACK BREW UNIT CONDENSE CONVEYOR P0049	
	11027349	BLK UPPER SUPPORT WITH COMOLDED MILL V2	ONLY FOR 230VSCH	31	128310402	GALV.WASHER UNI 8842 A4	
		<b>FOR 230V SCH UP TO S/N TW901325341716</b>		32	11005658	5POLES CONNECTOR MC SENSORS P0049 UL	
		<b>FROM S/N TW901325341717</b>		33	129914002	SCREW TCB TORX 10 3,5X16 PLAST.ZN-B	
03	140328960	NBR FDA OR METRIC 0530-15		34	17001921	BLK WIRING FIX INSERT FOR GRINDER BOARD	
04	146520100	BAKED CLAY GRINDER 48X28	FOR CHN-KOR-TW-JAP				
		<b>FOR 230V SCH UP TO S/N TW901325341716</b>			421944035361	GEN.MOT.COF.GRINDER V2 P0049 230V CHN AS	KEEP FOR CHN-KOR
05	149198350	BLK LOWER COFFEEGRINDER GRINDER SUPPORT	FOR CHN-KOR-TW-JAP		421941303031	GEN.MOTOR COF.GRINDER COM.P0049 230V ASS	ONLY FOR 230VSCH
		<b>FOR 230V SCH UP TO S/N TW901325341716</b>			11007417	GEN.MOTOR COF.GRINDER V2 P0049 ASSY.	120V
		<b>FROM S/N TW901325341717</b>			11007418	GEN.MOTOR COF.GRINDER V2 P0049 ASSY.	100V
	11027348	BLK LOWER SUPPORT WITH COMOLDED MILL V2	ONLY FOR 230VSCH				
		<b>FROM S/N TW901325341717</b>					
06	129570802	SCREW TAPT M3X10 DIN 7985 GALV					
07	123030300	AXIAL BEARING EKKO 342.35252					
08	140360500	FELT RING 45,4X39,4X4					
09	11026355	BLK GROUND COFF.OUTLET CONVEYOR V4 ASSY.					
10	11030459	GRY GROUND COFFEE CONT.LOWER SEAL SMART1					
11	226000300	GEAR SX Z=38 FOR GRINDER MOTION ASSY.					
12	11000513	MOTOR COFFEEGRINDER V3.1 ASSY.	230V				
	421944035341	MOTOR COFFEEGRINDER V3.1 230V CHN ASSY.	ONLY CHINA				
	11000511	MOTOR COFFEEGRINDER V3.1 ASSY.	120V				
	11000512	MOTOR COFFEEGRINDER V3.1 ASSY.	100V				
13	149214800	MC V3 MOD=1,25 WORM SCREW CENTRING CAP					
14	129661702	SCREW TCB TORX 3,5X30 PLAST.ZN-B					
15	11002873	INSULATOR BUSH FOR GRINDER MOTOR P124					
16	11000597	COFFEE GRINDER SUPPORT SPRING P124					
17	11001826	COFFEE GRINDER SOUNDPROOFING COVER P0053					
18	11002508	UPPER COFFEEGRINDER GEAR SUPPORT P124					
19	11003446	BLACK BEAN COFFEE GRINDER INSERT P0049					
20	11003784	COFFEE GRINDING ADJUSTMENT GEAR P0049					
21	11002572	COFFEEGRINDER REGULATION SPRING P124					
22	11002613	LOWER COFFEEGRINDER GEAR SUPPORT P124					
23	142905450	BLK UPPER BODY WITH COFFEE GROUND OUTLET					
24	128381800	STEEL CRINKLE WASHER 21,8X14X0,25					
25	123030200	RADIAL BEARING 61900.2RS1					
26	181540900	ELECTR.BOARD WITH SENSOR HAL506 SF-K					
27	11001367	BLACK COFFEE GRINDER SUPPORT P0049					
28	149199050	BLK SENSOR SUPPORT FOR COF.GRINDER MOTOR					



PR ODEA GIRO V2 / GIRO PLUS V2 CAPP.

TABLE 4/6



**SUP031OR**

**RI9952/01/02/03/50**  
**RI9953/01 RI9954/01**



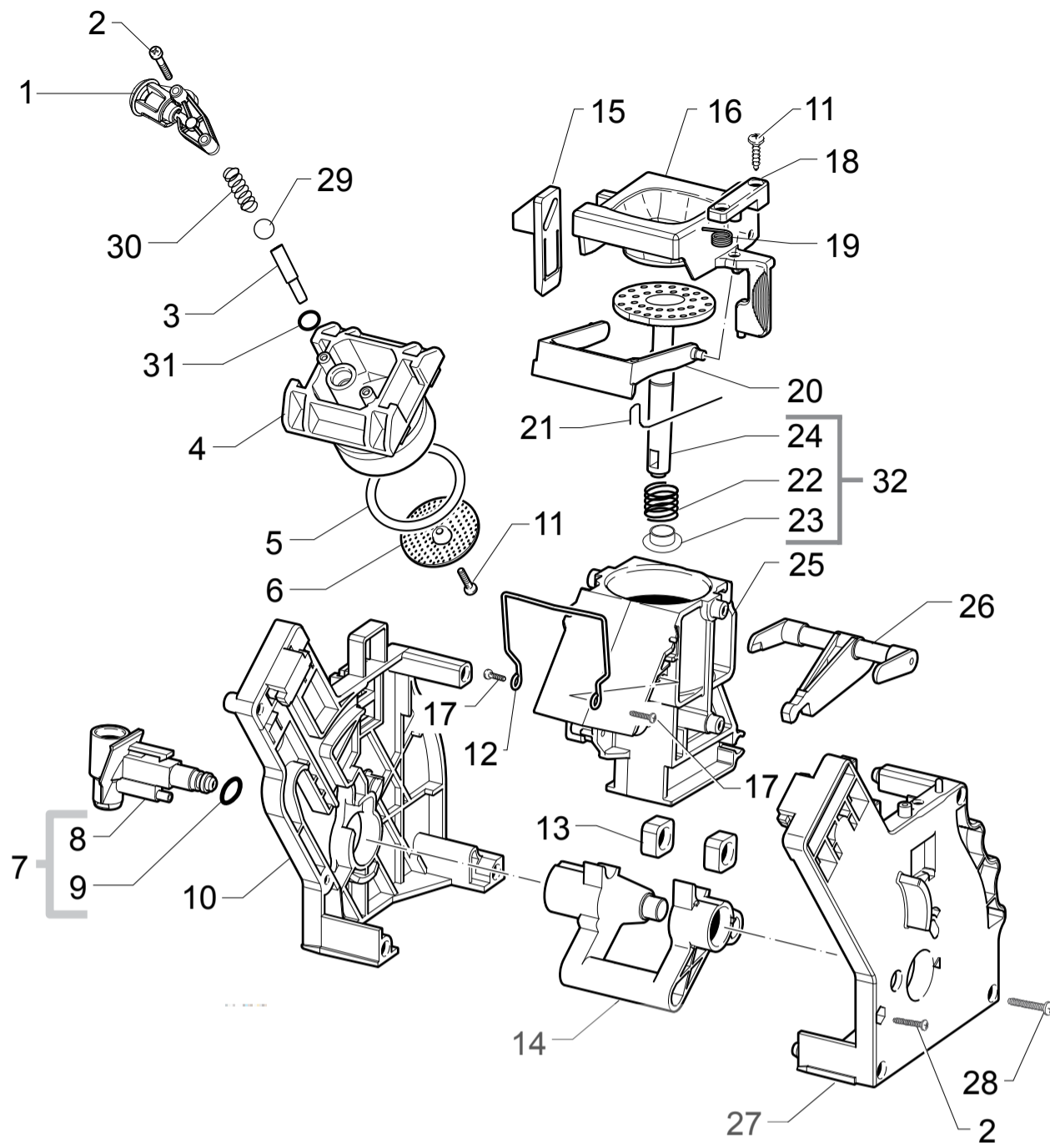
**Cod.10003759-72-70-4635**  
**10003757-4053**

POS	CODE	DESCRIPTION	NOTE	POS	CODE	DESCRIPTION	NOTE
01	11005113	PIN V2 FOR BOILER P049/B ASSY.					
02	140324459	OR ORM 0060-20 IN SILICONE PTFE/FDA					
03	11003820	BLACK CAP V2 FOR PIN BOILER P119					
04	140328059	OR 2015 IN SILICONE PTFE/FDA					
05	NM01.035	OR ORM 0090-20 SILICONE					
06	11003801	NAT.PIN V2 FOR BOILER P119					
07	NM01.057	OR ORM 0050-20 IN SILICONE					
08	NE05.038	MICROSWITCH					
09	20000900	SPARES KIT GEARS FOR RATIOMOTOR V2					
10	9161.132	MYLAR WASHER FOR RATIOMOTOR					
11	9121.046	BRONZE SINTERED BUSH FOR MOTOR					
12	148380200	BAKELIZZATE WASHER D=5,5					
13	9121.044	ANTIVIBRATION FOR MOTOR					
14	11004086	BLK VALVE WATER DESCARGING 90°CONNECTOR					
15	11003648	BLK COVER WATER DESCARGING 90°CONNECTOR					
16	140325462	OR METRIC 0070-20 IN SILICONE					
17	11005214	MOTOR FOR RATIOMOTOR P124 ASSY.					
18	11001331	BLACK DUMP BOX MICROSWITCH SUPPORT P0049					
19	11003661	REED SENSOR MK3-1A66-BV16451					
20	11010544	COFFEE DISPENSING VALVE V4 P0049 ASSY.					
21	11006337	BLACK COVER MOUNTING PLATE P0049 ASSY.					
22	129914002	SCREW TCB TORX 10 3,5X16 PLAST.ZN-B					
23	11001312	BLACK COVER FOR BOILER VAIN P0049					
24	129914102	SCREW TSP TORX 10 3,5X12 PLAST.ZN-B					
25	421944036901	BLK BREW UNIT 8GR.5BAR V3 P0057					
26	11022216	BLACK MOUNTING PLATE COVER PROTECT.P0049					



**PR ODEA GIRO V2 / GIRO PLUS V2 CAPP.**

**TABLE 5/6**



**SUP031OR** RI9952/01/02/03/50  
RI9953/01 RI9954/01



**Cod.10003759-72-70-4635**  
**10003757-4053**

POS	CODE	DESCRIPTION	NOTE	POS	CODE	DESCRIPTION	NOTE
01	11009362	BLACK COFFEE OUTLET SLEEVE S0053 ASSY.					
02	12000550	SCREW TCB TORX 10 3X25 PLAST.SS					
03	11009276	TUBE FOR COUNTER PISTON BREW UNIT S0053					
04	11001840	BLACK COUNTER PISTON BREW UNIT 8GR.P124					
05	NM01.044	OR ORM 0320-40 SILICONE PTFE/FDA					
06	9161.268	PERCOLATOR DE=35,8 ELFO					
07	20000440	BLACK SPARE SLEEVE UNIT					
08	9161.064.050	BLACK WATER INLET SLEEVE BREW UNIT					
09	NM02.007	OR 2025 TERMOIL					
10	9161.375.050	BLACK REAR PLATE FOR BREW UNIT SMART					
11	12000895	SCREW TSP TORX 10 3X10 PLAST.SS					
12	11001556	SPRING H=49 FOR COFFEE BREW UNIT SMART					
13	9161.094.150	GREY DRILLED BLOCK BREW UNIT					
14	9161.066.050	ELBOW SHAFT FOR UNIT BLACK					
15	9161.373.050	BLACK COUPLING PLATE BREW UNIT SMART					
16	149261350	BLACK HOPPER DOSER BREW UNIT SMART1					
17	129912521	SCREW TCB TORX 10 3,5X14 PLAST.SS					
18	9161.374.050	BLACK HOPPER BLOCKING PLATE UNIT SMART					
19	9161.378	SPRING HOPPER SMART BREW UNIT					
20	11004161	BLACK SCRAPER FOR COFFEE UNIT					
21	9161.046	SPRING FOR UNIT SCRAPER					
22	9161.198	PISTON SPRING BREW UNIT M5000					
23	9161.191	NEUTRAL PISTON BUSH BREW UNIT M5000					
24	421944025621	BLK BREW UNIT INTEGR.PISTON 8GR.V3 ASSY.					
25	11003075	BLACK COFFEE CONTAINER BREW UNIT P124	WITH PART. N° 12				
26	11003078	BLACK CONNECTING ROD FOR UNIT P124 8GR.					
27	11005920	BLACK FRONT PLATE BREW UNIT SMART S.SCR.					
28	12000897	SCREW TCB TORX 10 3,5X20 PLAST.SS					
29	421944034451	BOROSILICATE SPHERE D.5 MM					
30	11012095	SPRING FOR CONTERPISTON UNIT S0053					
31	140328761	OR METRIC 0060-15 IN TERMOIL					
32	421944029791	BLK BREW UNIT 8GR.INT.PISTON GEN.V3 ASSY					
	421944036901	BLK BREW UNIT 8GR.5BAR V3 P0057					



**PR ODEA GIRO V2 / GIRO PLUS V2 CAPP.**

**TABLE 6/6**